

Rigging Guide for goBILDA® Cascading Low-Side U-Channel Kit 3210-0001-0001

Prerequisites

To add configurability in terms of speed and stroke length, the 3210-0001-0001 does NOT include a motor, motor mounts, Low-Side U-Channel or V-Guides. These components however are necessary to build and rig your kit. The BOM below shows what parts are used in this guide. This represents a common setup and can be used as a buyer's guide if you are unsure of what supporting parts to purchase. If you have not built your kit yet, refer to the Assembly Instructions document, built your kit, then come back here to rig it up.

QTY	SKU	DESCRIPTION
1	5202-0002-0005	5202 Series Yellow Jacket Planetary Gear Motor (This one is 1150 RPM but other speeds would work as well.)
2	1400-0032-0032	1400 Series 1-Side, 2-Post Clamping Mount (32mm Bore)
3	1121-0011-0288	1121 Series Low-Side U-Channel (11 Hole, 288mm Length)
1	1121-0013-0336	1121 Series Low-Side U-Channel (13 Hole, 336mm Length)
3	3700-0145-0288	3700 Series 14.5mm V-Guide (288mm Length)
one 4 Pack	1502-0006-0160	1502 Series 4mm ID Spacer (6mm OD, 16mm Length)

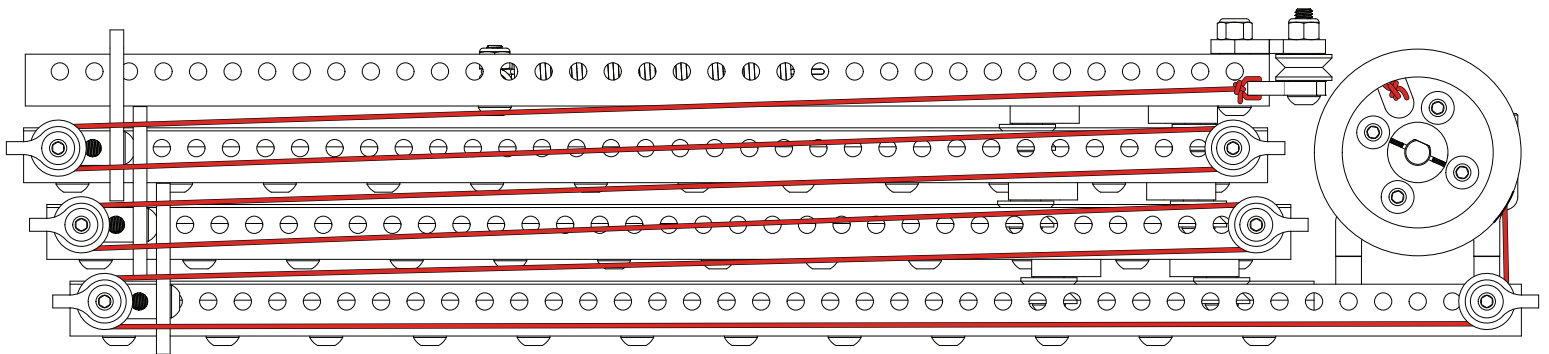
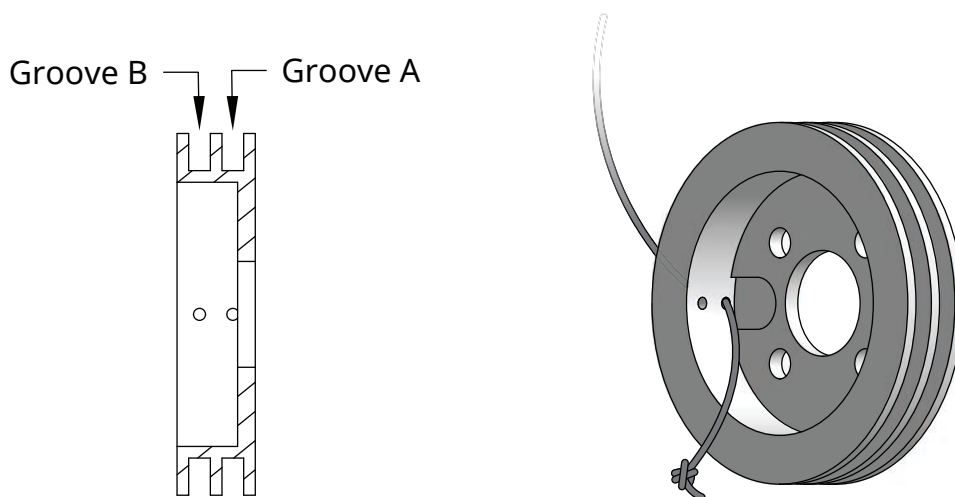
Rigging the Extension Cable

Make sure the kit is fully retracted. Locate the hole in Groove A of the winch pulley. Insert your cable from the outside of the pulley through the hole then tie a knot at the end. Make sure the knot is large enough that it cannot be pulled back through the hole.

Prewind a couple of rotations-worth of cable into Groove A. Ensure that the orientation of the winding is such that rotating the pulley counter clockwise draws the cable in.

Route the cable through the v-groove bearing pulleys as shown. For clarity, the cable is red in the diagram below.

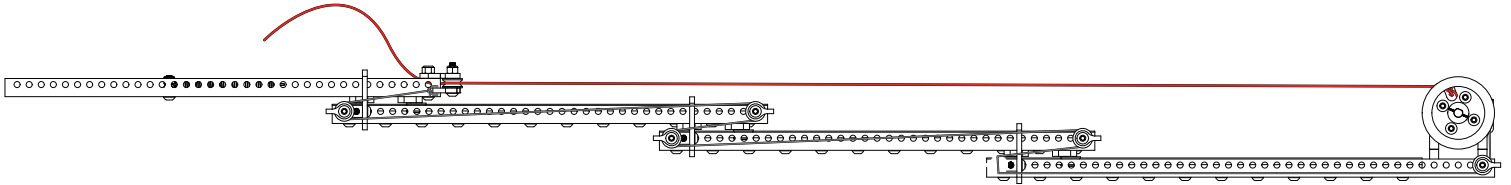
Finally, tie the cable to the tie-down hole on the black pulley plate on Segment A.



Rigging the Retraction Cable

Fully extend the kit by rotating the winch spool counter-clockwise. Locate the hole in Groove B of the winch pulley. Insert a second cable through from the outside of the pulley and tie a large knot like you did for the extension cable.

Pre-wind an extra rotation of cable into Groove B. Make sure the orientation is such that rotating the pulley clockwise draws the cable in. Route the cable through the v-groove bearing pulleys on Segment A.



Tie the cable onto the spring. Fasten a 16mm screw with a locknut to Segment A in order to act as a stud. Hook the spring onto the stud. Ensure the retraction cable is very taut (you will need to manually hold the kit to prevent it from retracting). If needed, move the stud to increase tautness. Add another locknut to the stud in order to fully capture the spring loop.

