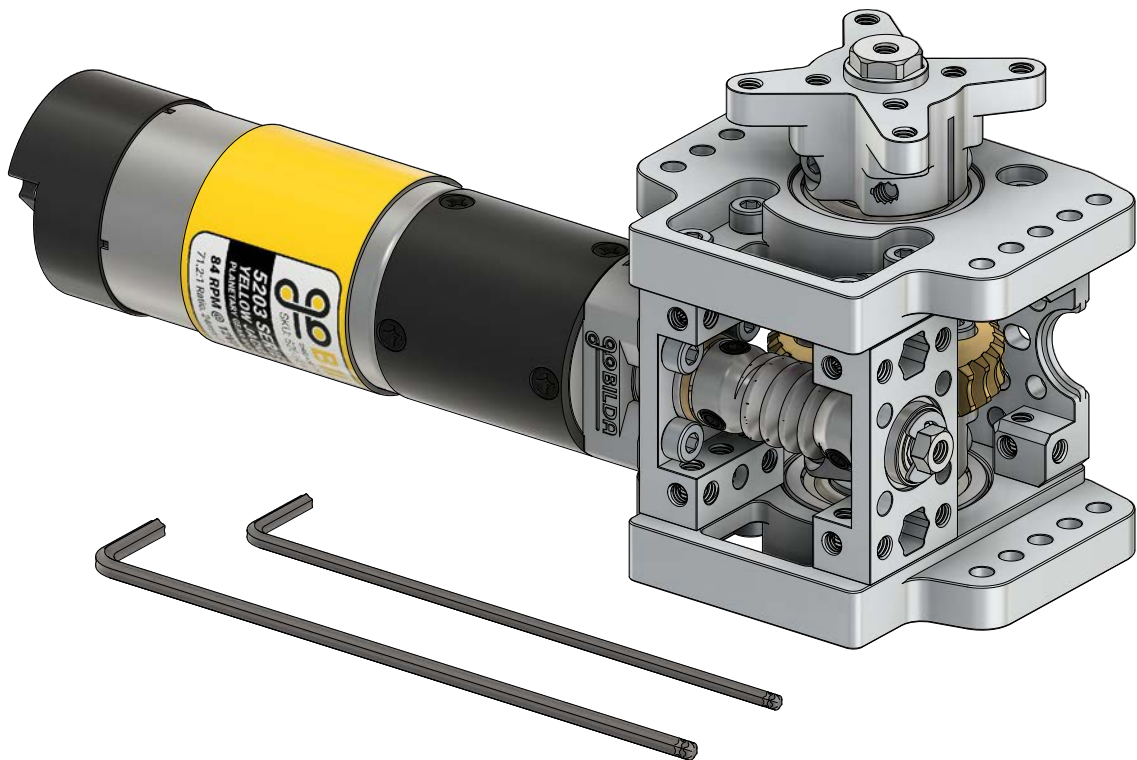
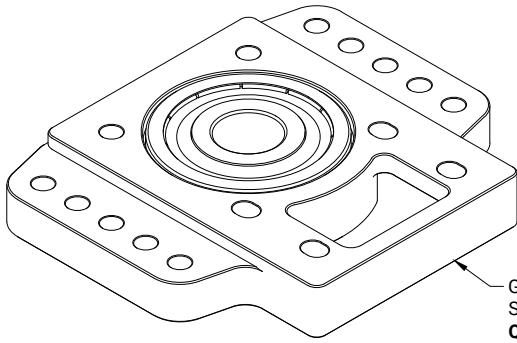




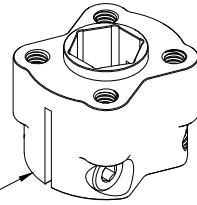
Assembly Instructions for
Super-Duty Worm Drive Gearbox (28:1 Ratio)
SKU: 3208-0002-0028



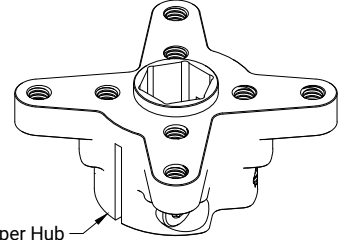
Kit Contents:



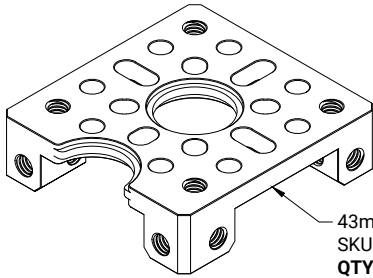
Gearbox Plate
SKU: 1115-0105-0001
QTY: 2



16-Pattern Hyper Hub
SKU: 1310-0016-4012
QTY: 1



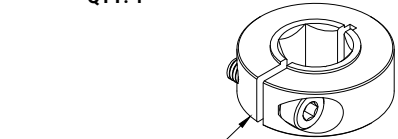
32-Pattern Hyper Hub
SKU: 1313-1632-4012
QTY: 1



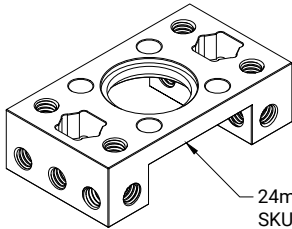
43mm Quad Block Mount
SKU: 1201-0043-0005
QTY: 1



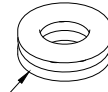
1mm Shim
SKU: 2807-1215-1000
QTY: 12 (1 Pack)



Clamping Collar
SKU: 2910-1026-4012
QTY: 1



24mm Quad Block Mount
SKU: 1201-0024-0001
QTY: 1



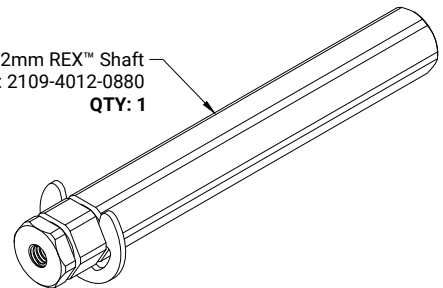
8mm Thrust Bearing
SKU: 1613-0516-0008
QTY: 2



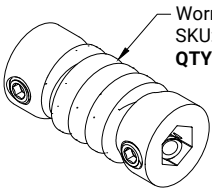
8mm REX™ Shaft
SKU: 2106-4008-0240
QTY: 1



8mm REX™ Bearing
SKU: 1611-0514-4008
QTY: 2 (1 Pack)



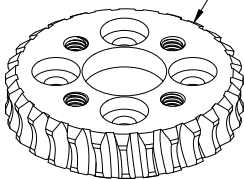
12mm REX™ Shaft
SKU: 2109-4012-0880
QTY: 1



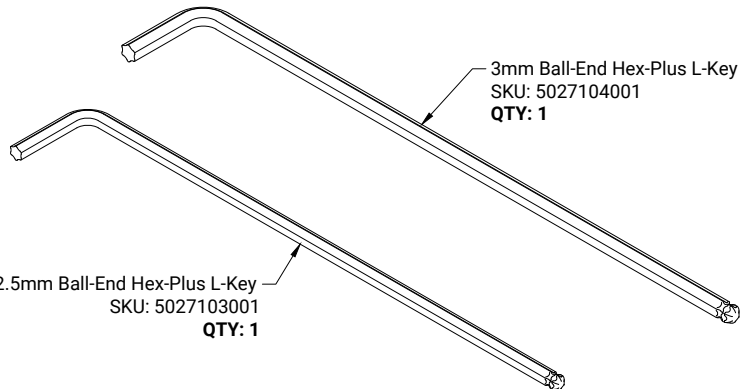
Worm
SKU: 2313-4008-0033
QTY: 1



10mm Socket Head Screw
SKU: 2800-0004-0010
QTY: 25 (1 Pack)

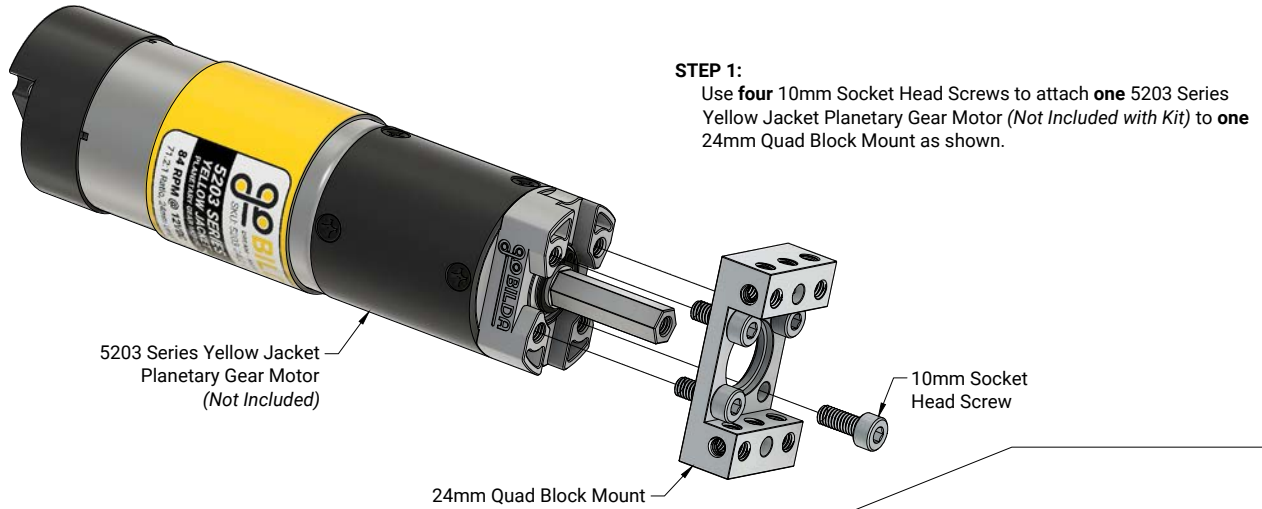


Worm Gear
SKU: 2314-0014-0028
QTY: 1



3mm Ball-End Hex-Plus L-Key
SKU: 5027104001
QTY: 1

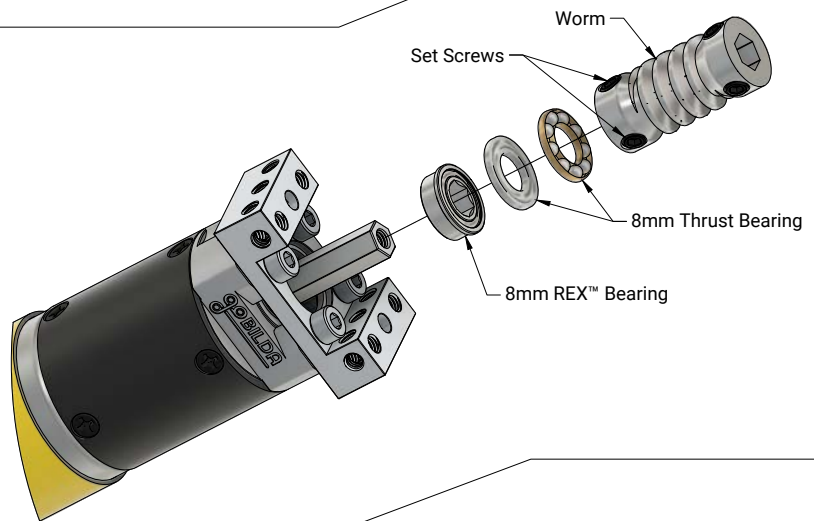
2.5mm Ball-End Hex-Plus L-Key
SKU: 5027103001
QTY: 1



STEP 2:
Slide **one** 8mm REX™ Bearing, **one** 8mm Thrust Bearing, and **one** Worm on the the motor shaft as shown.

Note that only two thirds of the 8mm Thrust Bearing are implemented in this assembly. There are two specialized washers included with the 8mm Thrust Bearing; one has a smaller ID and fits tightly around the shaft, and the other has a looser ID. Use the looser washer in this step.

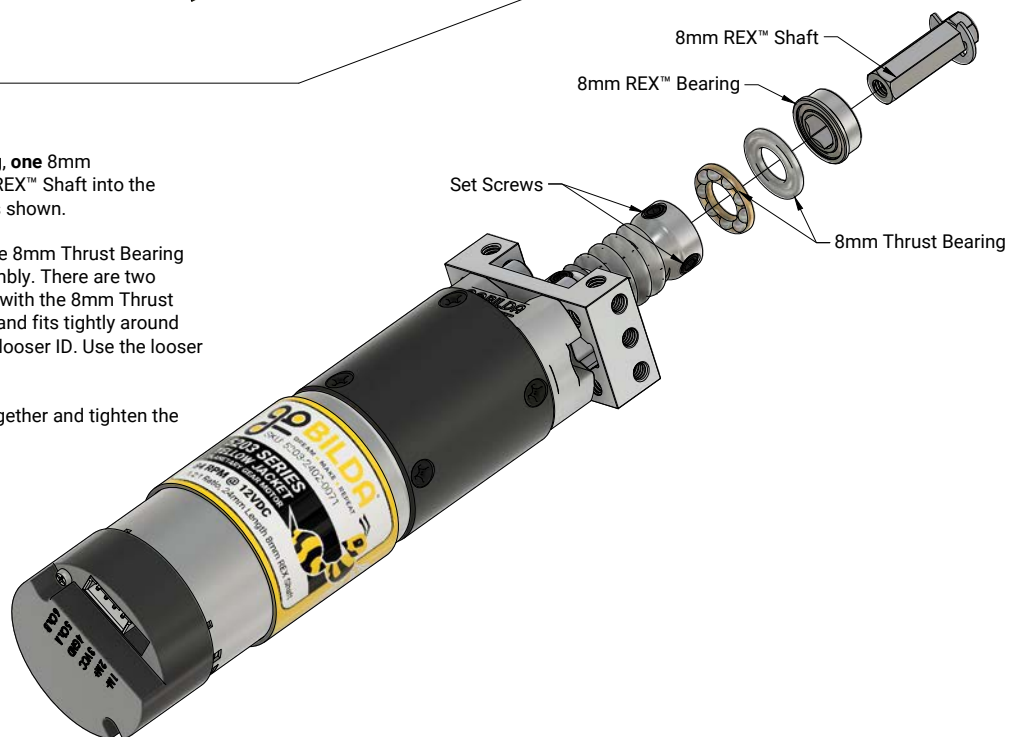
Press this assembly tightly together and tighten the set screws onto the shaft.



STEP 3:
Slide **one** 8mm Thrust Bearing, **one** 8mm REX™ Bearing, and **one** 8mm REX™ Shaft into the remaining end of the Worm as shown.

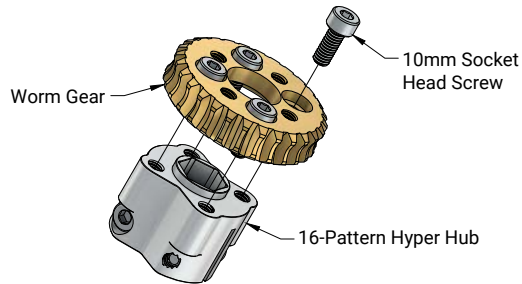
Note that only two thirds of the 8mm Thrust Bearing are implemented in this assembly. There are two specialized washers included with the 8mm Thrust Bearing; one has a smaller ID and fits tightly around the shaft, and the other has a looser ID. Use the looser washer in this step.

Press this assembly tightly together and tighten the set screws onto the shaft.



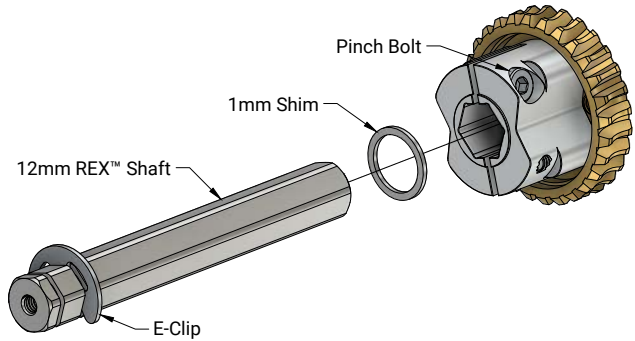
STEP 4:

Attach **one** Worm Gear to **one** 16-Pattern Hyper Hub as shown using **four** 10mm Socket Head Screws as shown.



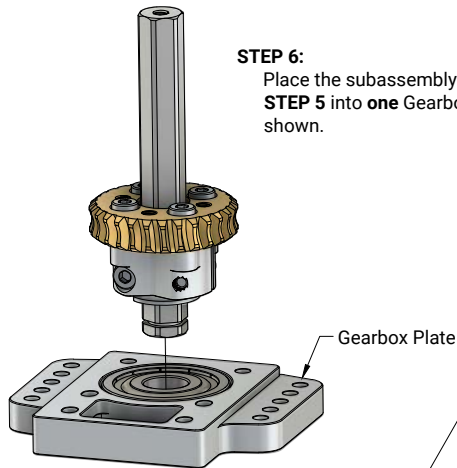
STEP 5:

Slide **one** 1mm Shim and the subassembly from **STEP 4** onto **one** 12mm REX™ Shaft. Use both of the pinch bolts to hold the 16-Pattern Hyper Hub in place against the 1mm Shim and E-Clip.



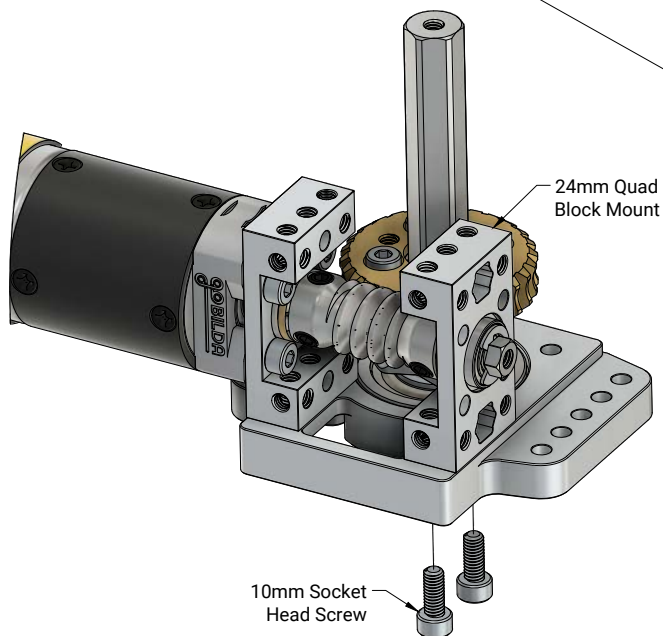
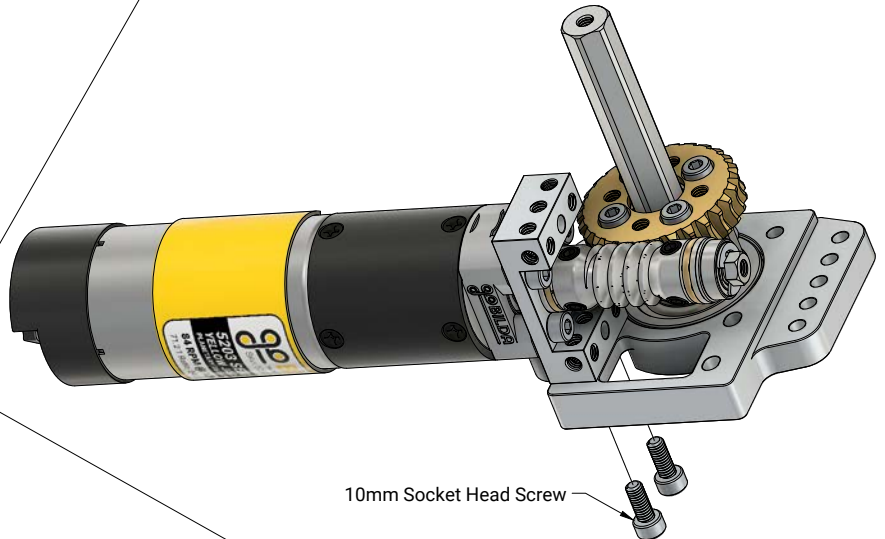
STEP 6:

Place the subassembly from **STEP 5** into **one** Gearbox Plate as shown.



STEP 7:

Attach the subassembly from **STEP 3** to the Gearbox Plate using **two** 10mm Socket Head Screws as shown. Leave these screws loose.

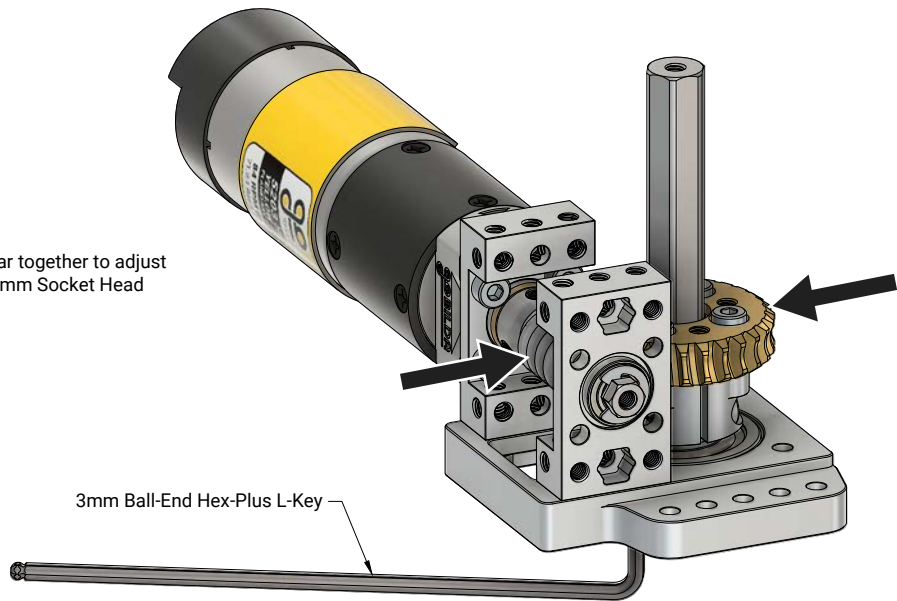


STEP 8:

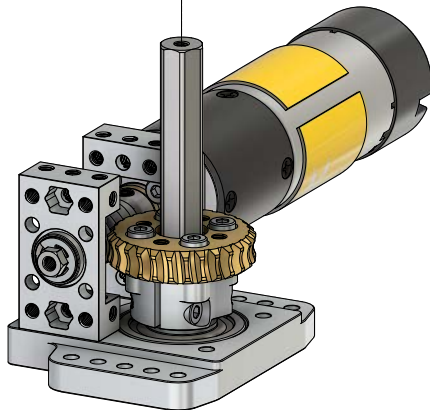
Use **two** 10mm Socket Head Screws to fasten **one** 24mm Quad Block Mount as shown. Leave these screws loose.

STEP 9:

Press the Worm and the Worm Gear together to adjust the gear mesh, then tighten the 10mm Socket Head Screws as shown.



Clamping Collar
Built-In Shim
Pinch Bolt

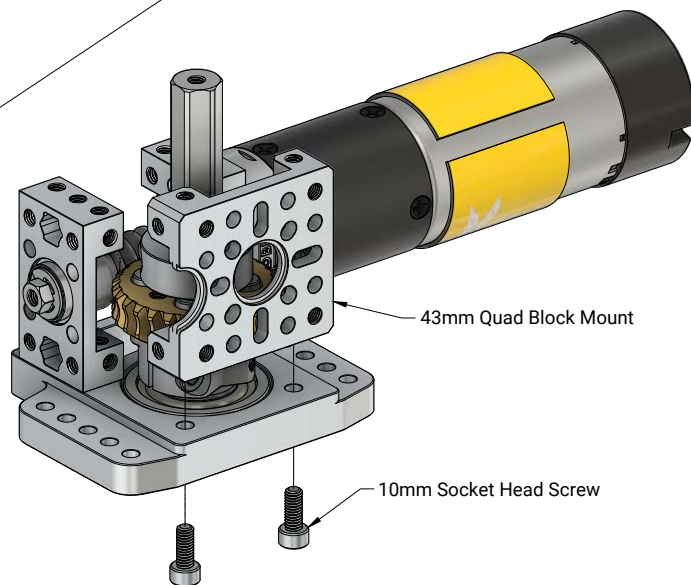


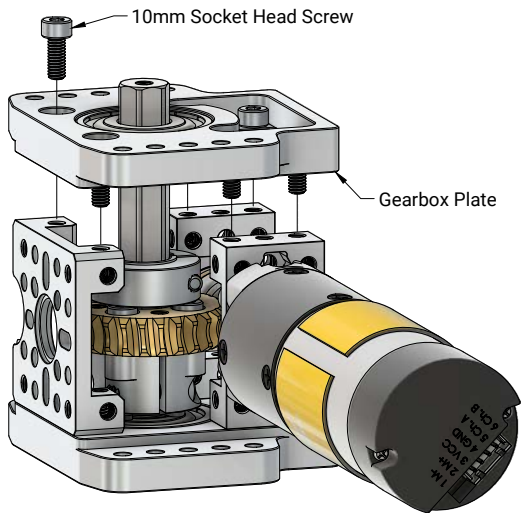
STEP 10:

Slide **one** Clamping Collar onto the 12mm REX™ Shaft as shown with the built-in shim facing upwards. Leave the pinch bolt loose, and make sure that it is accessible from the side of the assembly.

STEP 11:

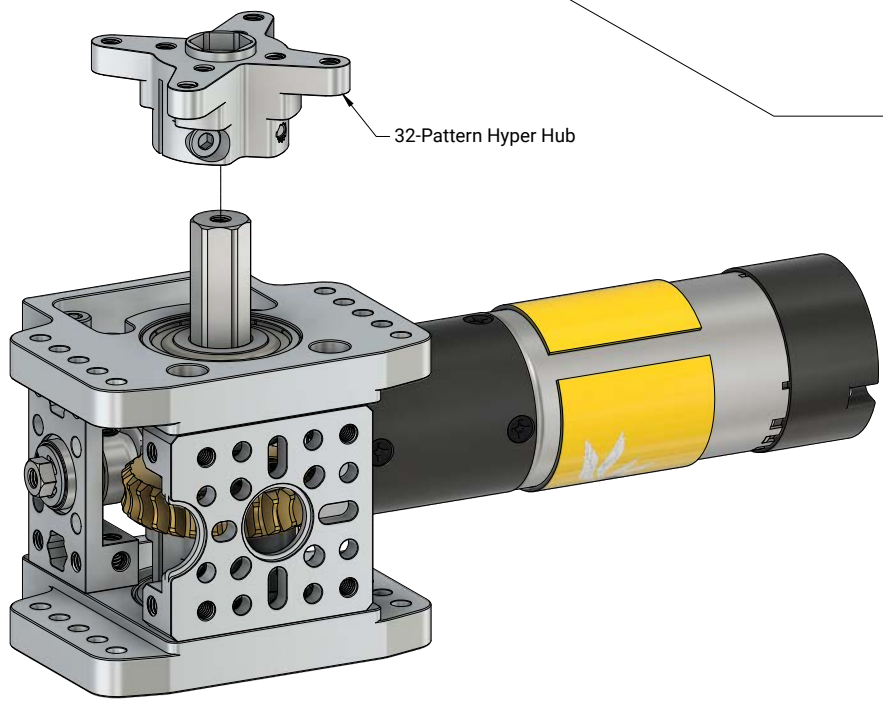
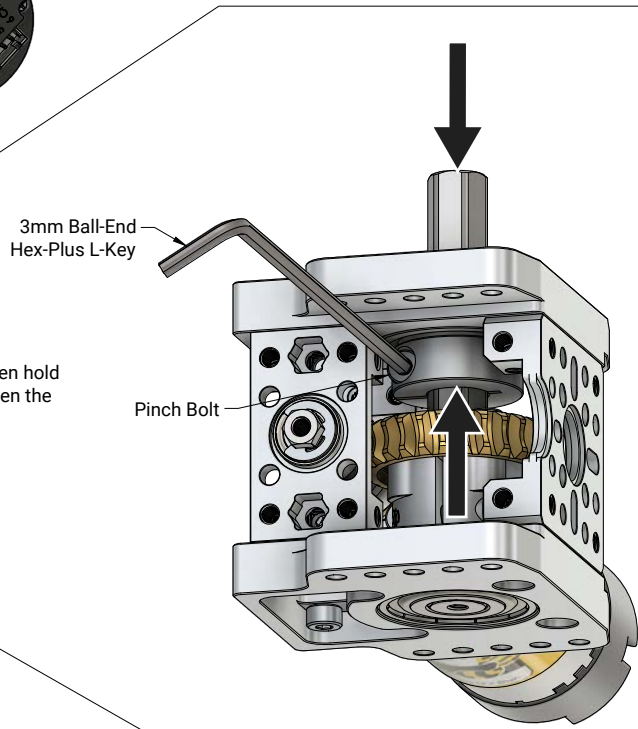
Use **two** 10mm Socket Head Screws to attach **one** 43mm Quad Block Mount as shown.





STEP 12:
Use **six** 10mm Socket Head Screws to attach **one** Gearbox Plate as shown.

STEP 13:
Firmly press the 12mm REX™ Shaft down into the assembly, then hold the Clamping Collar up against the top Gearbox Plate and tighten the pinch bolt.



STEP 14:
Mount **one** 32-Pattern Hyper Hub as shown. Be sure to adequately tighten the pinch bolts.

Congratulations!

Your kit is now assembled. We hope you enjoyed building it and wish you all the best on the learning journey that lies ahead!

If you're operating this kit in a clean environment (i.e. indoors) where your project is at minimal risk of contamination by particulate material, you can use Super Lube® Synthetic Grease or another synthetic lubricant to optimize your kit's gear efficiency. Just apply the grease to the worm and let it rip!

