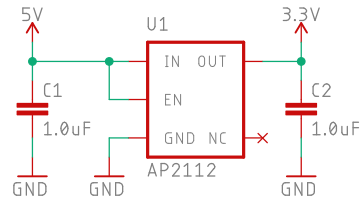
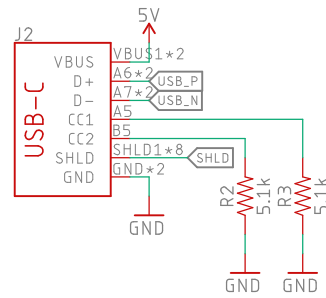


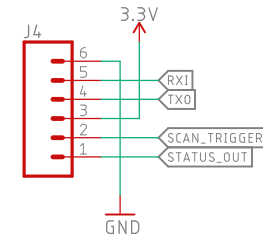
### 3.3V Regulation



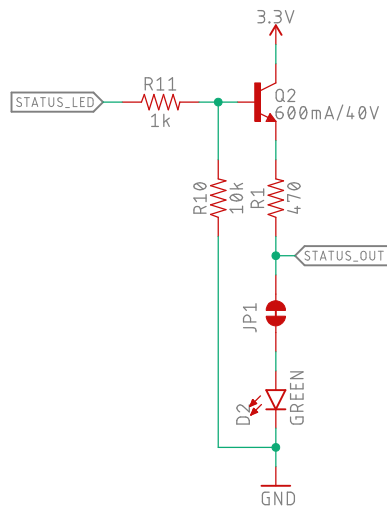
### USB-C HID



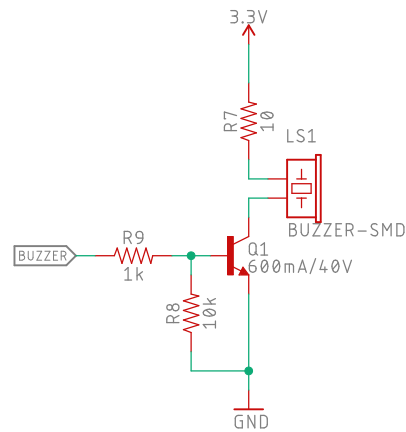
### Pin Header



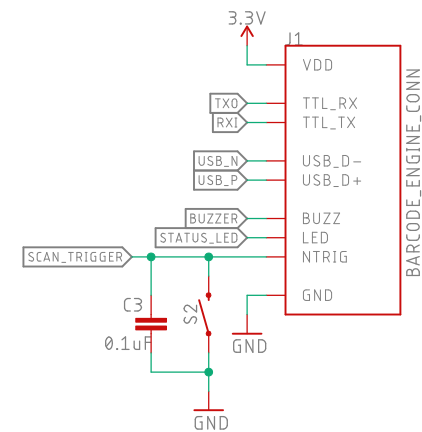
### LED Driver



### Buzzer Driver



### 2D Barcode Reader



Released under the Creative Commons Attribution Share-Alike 4.0 License  
<https://creativecommons.org/licenses/by-sa/4.0/>



TITLE: 2DBarcodeScanner

Design by: Nobody

REV:  
>REV

Date: 4/2/2020 7:06 PM

Sheet: 1/1