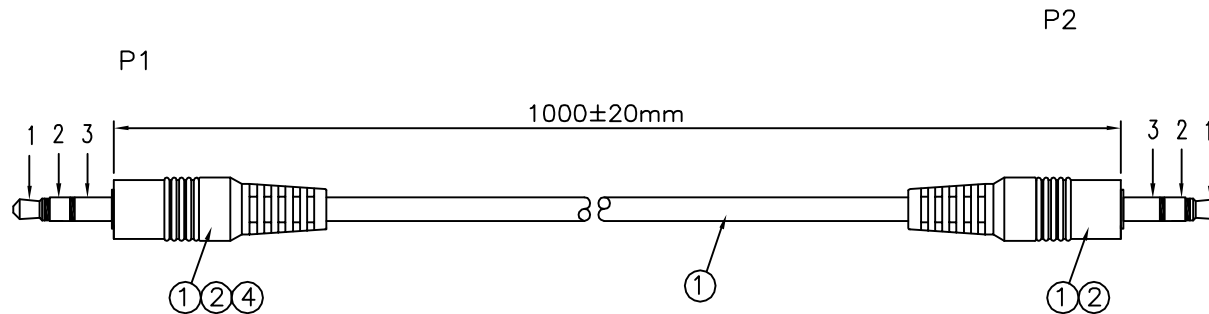
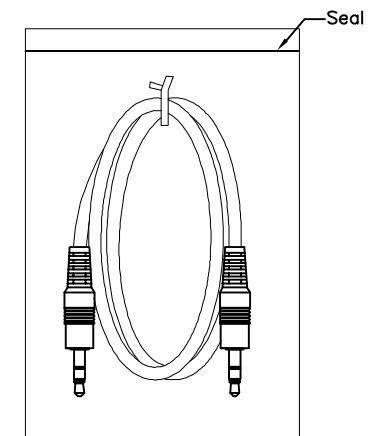
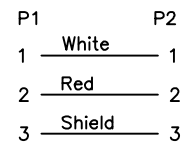


RoHS Compliant



4	Heat shrinkable Tube	PCS	1
3	NOUL 28AWG*2C+S BLACK OD:3.0 INNER:WHITE,RED Jacket Color:Black	PCS	1
2	OUT MOULDING BLACK 45P PVC	PCS	1
1	φ3.5 STEREO PLUG GOLD PLATED (EDGE OD:4.5MM OUTER LENGTH:14MM)	PCS	2
No.	Material Name and Name	Unit	Qty

Wire Diagram



1Pcs/PE BAG

A5				DR.BY.: <b>Tom Liu</b>	TITLE : 3.5 PHONE CABLE L:1000mm	GENERAL TOLERANCE:						
A4				CHKD.: <b>Jack Wu</b>	PART NO : CBH-PJ03-1000	LINEAR	ANGLES					
A3				APPD.: <b>Kane He</b>	DWG. NO.: CXRD150729-012	X.: ±0.30	X': ±5.0'					
A2	ORIGINAL	<b>Tom Liu</b>	Jul-29-2015		DATE: Jul-29-2015	X.X: ±0.20	X.X': ±3.0'					
A1	ECN. NO.	DR.BY	DATE			X.XX: ±0.15	X.XX': ±2.0'	UNIT: mm	SCALE: 1:1	SHEET: 1/1	THIRD ANGLE PROJECTION	A4