

Specification for approval

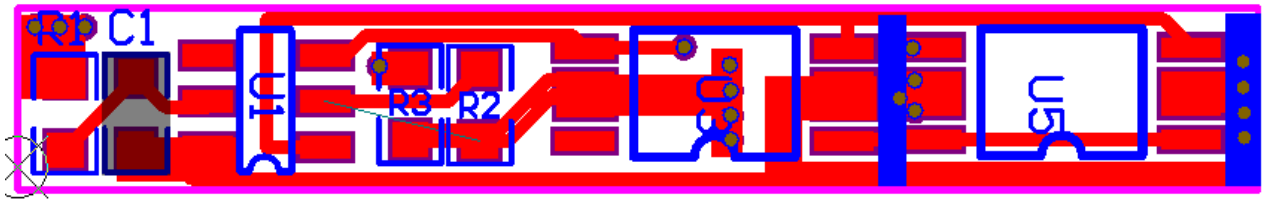
Name: PCM
Voltage: 3.7V
Model: RD-1306

Component

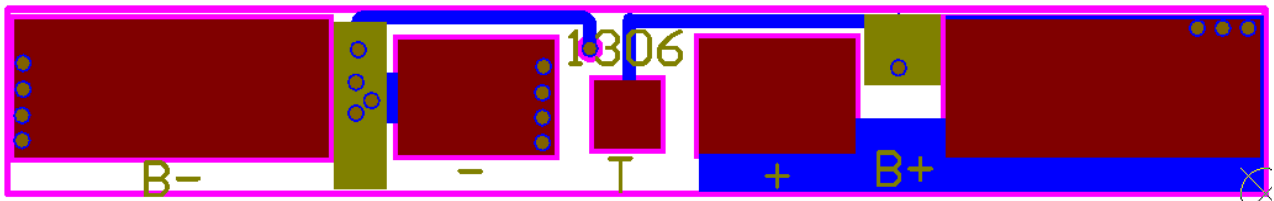
- 1.Control IC : DW01
- 2.MOS : 8205A

No.	Test content	Standard	Test data			
			1	2	3	4
VOC	Over charge protect voltage	$4.30 \pm 0.05V$	4.298			
VOD	Over discharge protect voltage	$2.50 \pm 0.075V$	2.503			
VEDI	Over current protect voltage	$0.15 \pm 0.02V$				
TOC	Over charge protect delay	$110mS \pm 30\%$				
TOD	Over discharge protect delay	$55mS \pm 30\%$				
TEDI	Over discharge current protect delay	$7.0mS \pm 30\%$				
TSHORT	Load short-circuit detection delay time	$400 \pm 200\mu S$				
IDD	static current consumption	$I \leq 6.0\mu A$	2.2			
RDS	PCB Restiance	$R \leq 60m\Omega$	58			

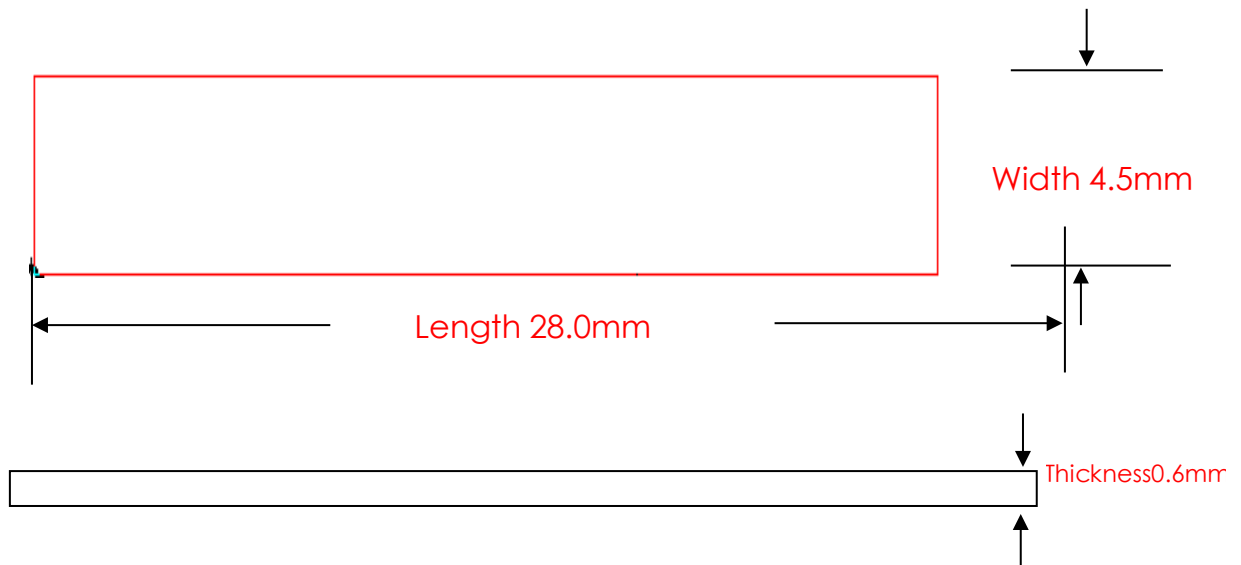
SMD pcb board diagram (front)



PCB board external view (negative)



PCB Size



Note:

Length $\pm 0.15\text{mm}$, Width $\pm 0.10\text{mm}$, Thickness 0.10mm

PCB 原理图

